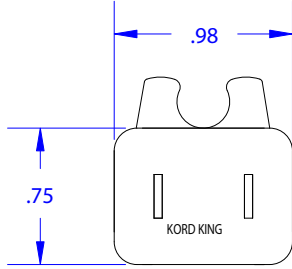
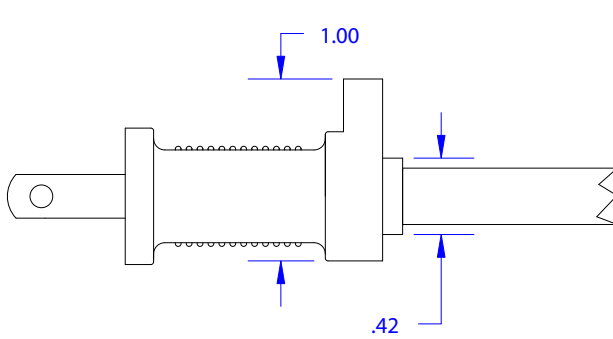
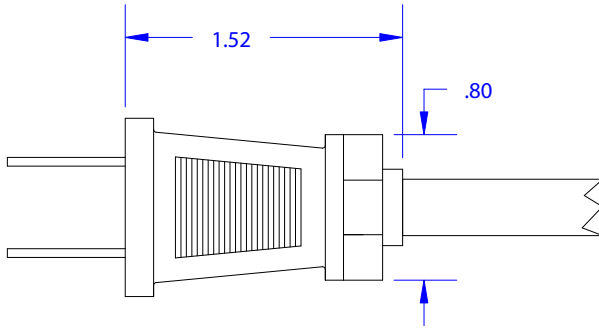


REVISIONS			
REV	DESCRIPTION	DATE	APPROVED
XX	XX	MO/DY/YR	XXX



PROPRIETARY INFORMATION
KORD KING, INC.
ALL RIGHTS RESERVED

THIS DOCUMENT CONTAINS CONFIDENTIAL AND PROPRIETARY INFORMATION OF KORD KING AND ITS RECEIPT OR POSSESSION DOES NOT CONVEY ANY RIGHTS TO REPRODUCE, DISCLOSE ITS CONTENTS, OR TO MANUFACTURE, USE OR SELL ANYTHING IT MAY DESCRIBE. REPRODUCTION, DISCLOSURE, OR USE WITHOUT SPECIFIC WRITTEN AUTHORIZATION OF KORD KING IS STRICTLY FORBIDDEN.

TOLERANCES		KORD KING, INC.		
FRACTIONAL ± 1/8		PLUG, CORD GRIP		
2 PLACE DEC. ± 0.060		1-15P		
3 PLACE DEC. ± 0.030		SIZE	FSCM NO.	REV
MATERIAL SPEC		DWG NO.	CG2000	XX
PLUG: PVC		SCALE	NONE	DRAWN BY: NICK
		DATE DWN: 2/13/02		SHEET 1 OF 1