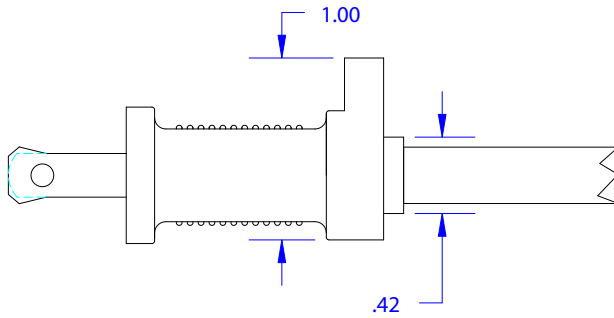
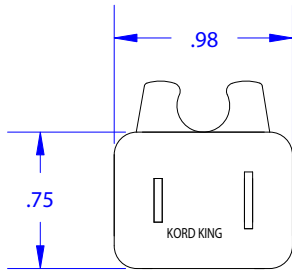
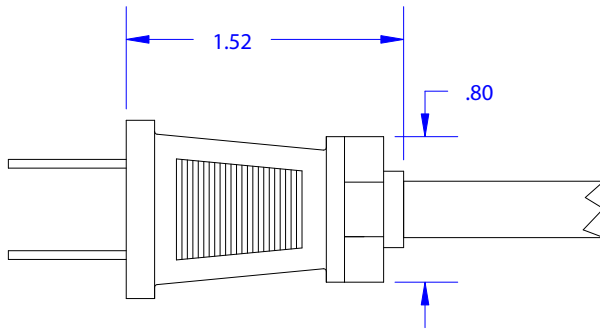


REVISIONS			
REV	DESCRIPTION	DATE	APPROVED
XX	XX	MO/DY/YR	XXX



PROPRIETARY INFORMATION  
KORD KING, INC.  
ALL RIGHTS RESERVED

THIS DOCUMENT CONTAINS CONFIDENTIAL AND PROPRIETARY INFORMATION OF KORD KING AND ITS RECEIPT OR POSSESSION DOES NOT CONVEY ANY RIGHTS TO REPRODUCE, DISCLOSE ITS CONTENTS, OR TO MANUFACTURE, USE OR SELL ANYTHING IT MAY DESCRIBE. REPRODUCTION, DISCLOSURE, OR USE WITHOUT SPECIFIC WRITTEN AUTHORIZATION OF KORD KING IS STRICTLY FORBIDDEN.

TOLERANCES		<b>KORD KING, INC.</b>			
FRACTIONAL ± 1/8					
2 PLACE DEC. ± 0.060		PLUG, CORD GRIP			
3 PLACE DEC. ± 0.030		1-15P POLARIZED			
MATERIAL SPEC		SIZE	FSCM NO.	DWG NO.	REV
PLUG: PVC		A		CG2001	XX
SCALE	NONE	DRAWN BY: NICK		SHEET	1 OF 1
		DATE DWR: 2/13/02			