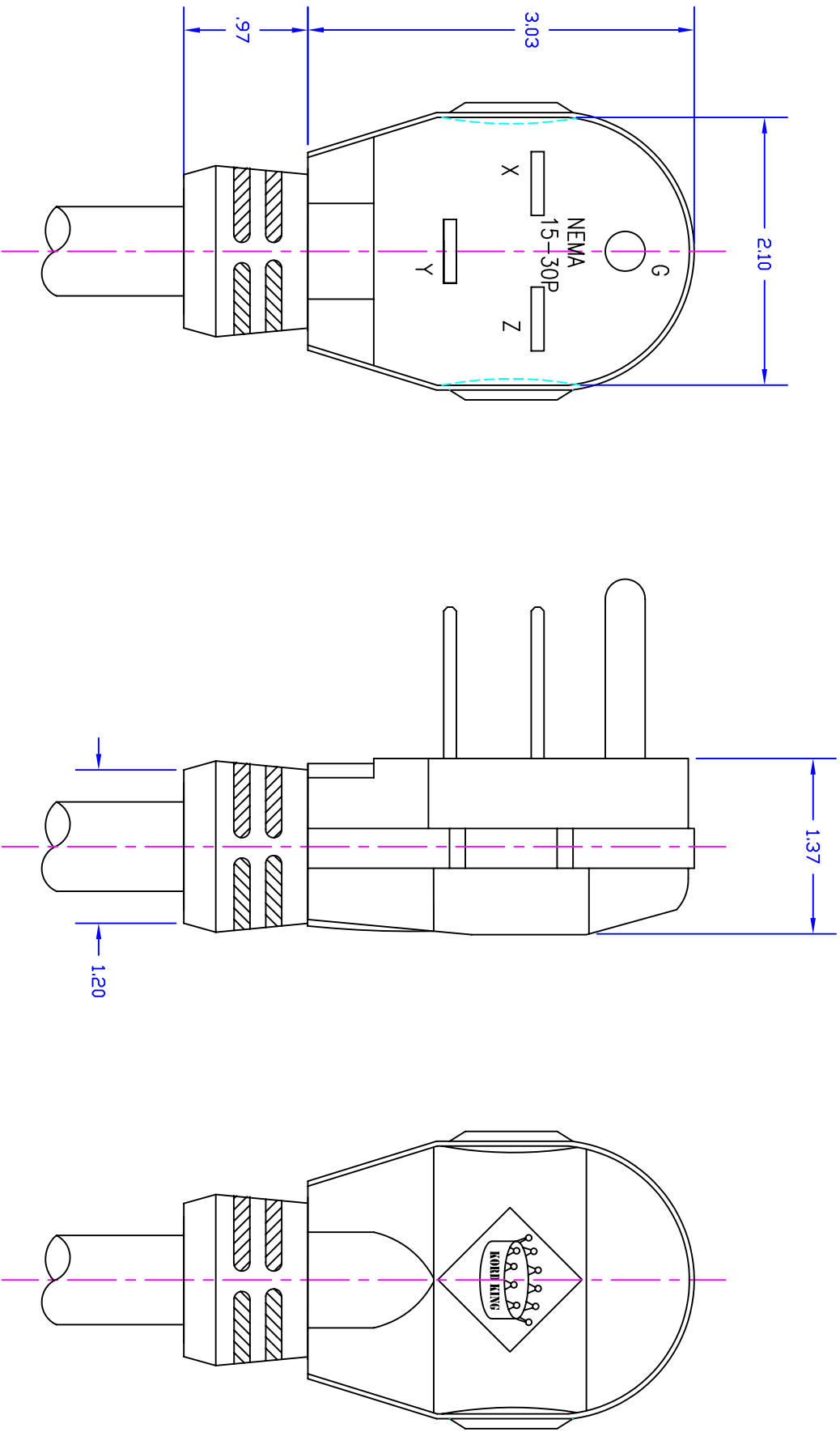


REVISIONS			DATE	APPROVED
REV	DESCRIPTION			
A	15-30 RANGEPLUG		12/22/11	NDB



PROPRIETARY INFORMATION
KORD KING, INC.

ALL RIGHTS RESERVED
THIS DOCUMENT CONTAINS CONFIDENTIAL AND PROPRIETARY INFORMATION OF KORD KING AND IT'S RECEIPT OR POSSESSION DOES NOT CONVEY ANY RIGHTS TO REPRODUCE, DISCLOSE IT'S CONTENTS, OR TO MANUFACTURE, USE OR SELL ANYTHING IT MAY DESCRIBE. REPRODUCTION, DISCLOSURE, OR USE WITHOUT SPECIFIC WRITTEN AUTHORIZATION OF KORD KING IS STRICTLY FORBIDDEN.

TOLERANCES		KORD KING, INC. MOLDED PLUG NEMA 15-30P			
MATERIAL SPEC					
MAT'L:		SIZE	FSCM NO.	DWG NO.	REV
GRADE:		A		KK15-30P	XX
THICK:		SCALE	NONE	DRWN BY: 12/22/11	SHEET
				DATE	1 OF 1