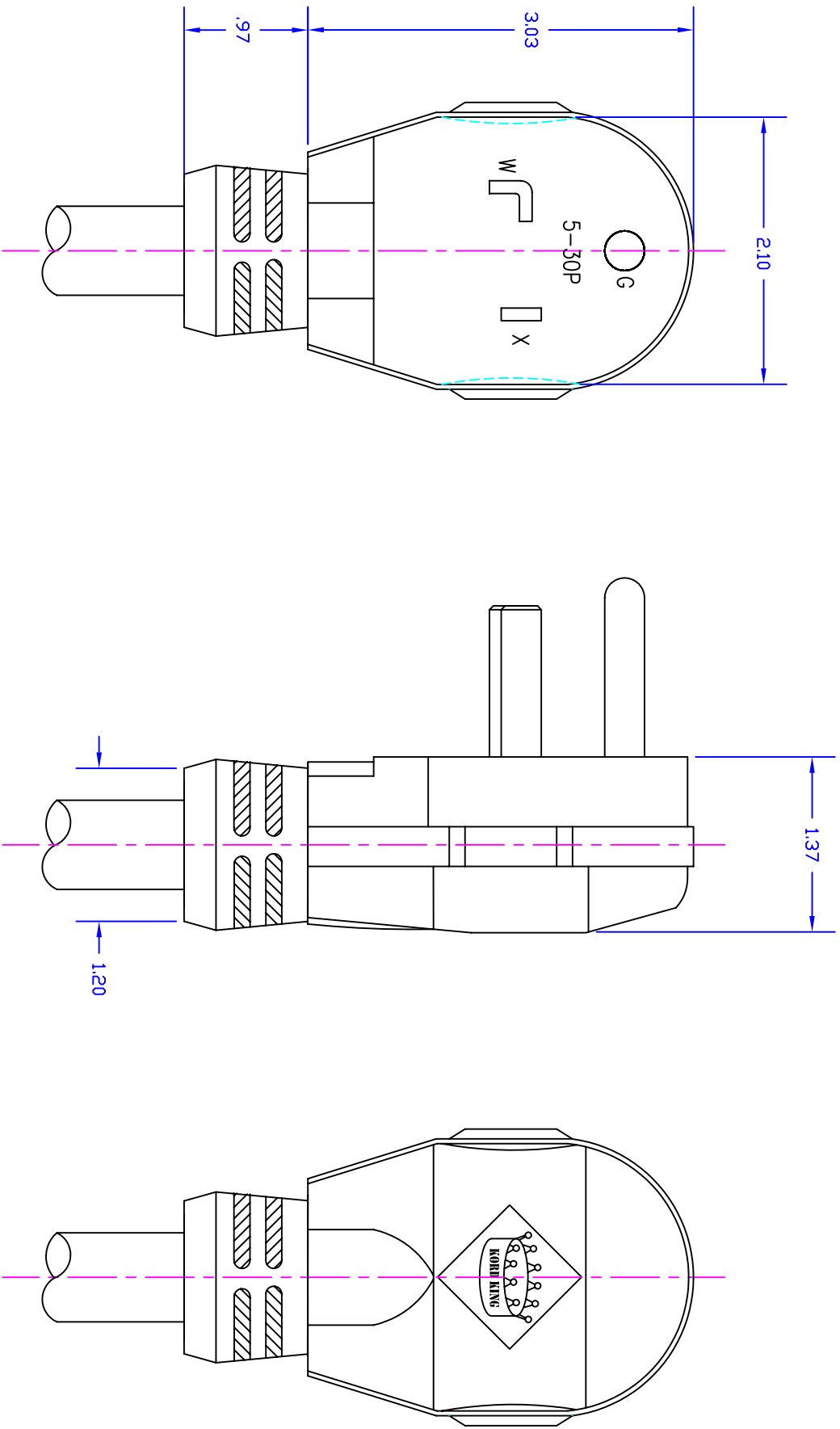


REVISIONS		DATE	APPROVED
REV	DESCRIPTION		
A	15-50 RANGEPLUG	12/22/11	NDB



PROPRIETARY INFORMATION
KORD KING, INC.

ALL RIGHTS RESERVED
THIS DOCUMENT CONTAINS CONFIDENTIAL AND PROPRIETARY INFORMATION OF KORD KING AND IT'S RECEIPT OR POSSESSION DOES NOT CONVEY ANY RIGHTS TO REPRODUCE, DISCLOSE IT'S CONTENTS, OR TO MANUFACTURE, USE OR SELL ANYTHING IT MAY DESCRIBE. REPRODUCTION, DISCLOSURE, OR USE WITHOUT SPECIFIC WRITTEN AUTHORIZATION OF KORD KING IS STRICTLY FORBIDDEN.

TOLERANCES		KORD KING, INC.	
MATERIAL SPEC		MOLDED PLUG NEMA 5-30P	
MAT'L:	SIZE	FSCM NO.	DWG NO.
GRADE:	A		KK5-30P
THICK:	SCALE	NONE	SHEET
		DRWN BY: 12/22/11	1 OF 1
		DATE DRN: INCR	REV XX