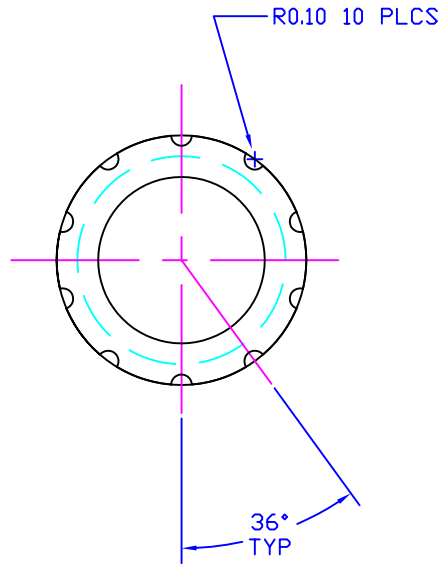
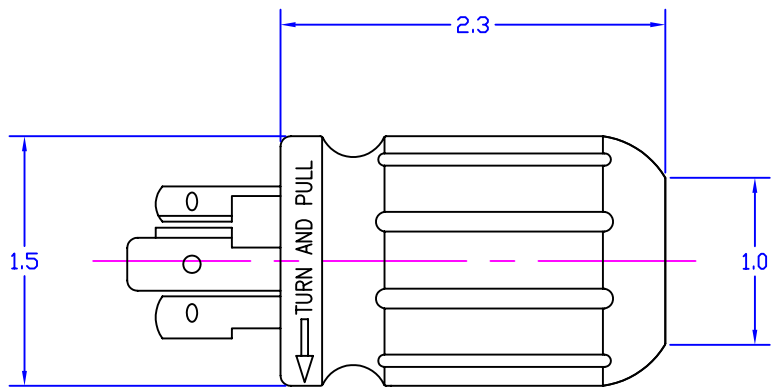
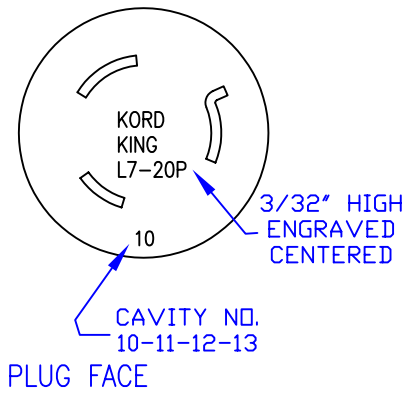


REVISIONS			
REV	DESCRIPTION	DATE	APPROVED
XX	XX	MO/DY/YR	XXX



*NOTE ALL EDGES R.015 UNLESS NOTED



*PLUG KKL7-20P

PROPRIETARY INFORMATION
KORD KING, INC.
ALL RIGHTS RESERVED

THIS DOCUMENT CONTAINS CONFIDENTIAL AND PROPRIETARY INFORMATION OF KORD KING AND IT'S RECEIPT OR POSSESSION DOES NOT CONVEY ANY RIGHTS TO REPRODUCE, DISCLOSE IT'S CONTENTS, OR TO MANUFACTURE, USE OR SELL ANYTHING IT MAY DESCRIBE. REPRODUCTION, DISCLOSURE, OR USE WITHOUT SPECIFIC WRITTEN AUTHORIZATION OF KORD KING IS STRICTLY FORBIDDEN.

TOLERANCES FRACTIONAL ± 1/8 2 PLACE DEC. ± 0.060 3 PLACE DEC. ± 0.030		KORD KING, INC. TWISTLOCK PLUG L7-20P	
MATERIAL SPEC MAT'L: PVC DUROMETER: 90 "A" SCALE UL LISTED			
SIZE A	FSCM NO.	DWG NO. KKL7-20P	REV XX
SCALE NONE	DRAWN BY: NDB DATE DWN: 10/03/06		SHEET 1 OF 1