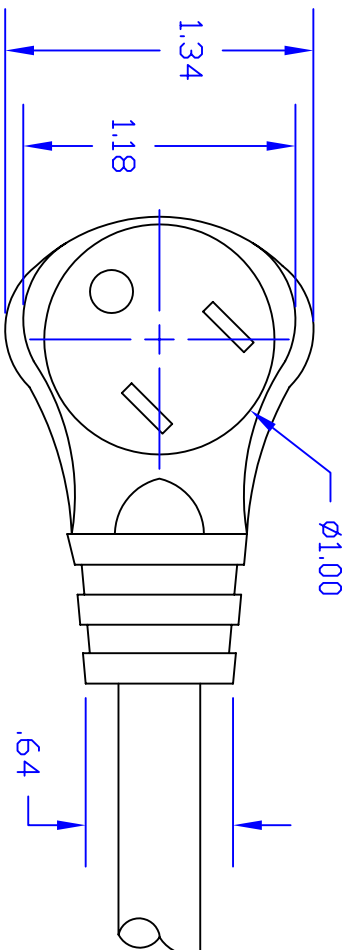
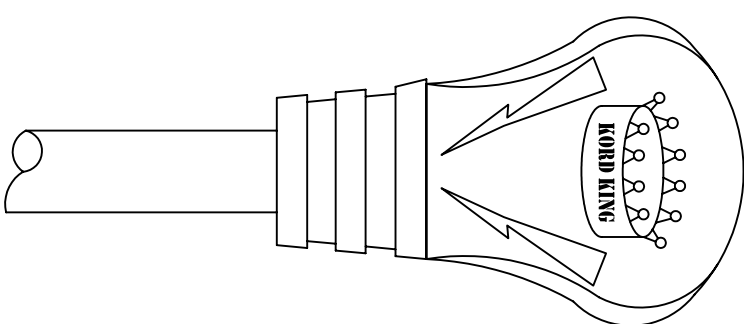
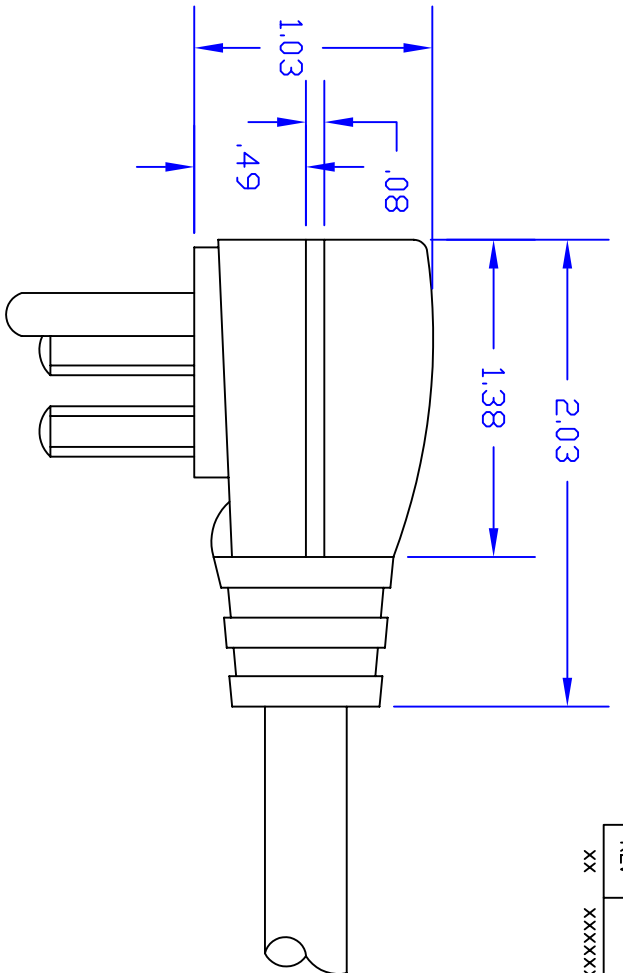


REVISIONS			
REV	DESCRIPTION	DATE	APPROVED
XX	XX	MO/DY/YR	XXX



PROPRIETARY INFORMATION
KORD KING, INC.

ALL RIGHTS RESERVED

THIS DOCUMENT CONTAINS CONFIDENTIAL AND PROPRIETARY INFORMATION OF KORD KING AND ITS RECEIPT OR POSSESSION DOES NOT CONVEY ANY RIGHTS TO REPRODUCE, DISCLOSE ITS CONTENTS, OR TO MANUFACTURE, USE OR SELL, ANYTHING IT MAY DESCRIBE, REPRODUCTION, DISCLOSURE, OR USE WITHOUT SPECIFIC WRITTEN AUTHORIZATION OF KORD KING IS STRICTLY FORBIDDEN.

TOLERANCES AS NOTED		KORD KING, INC. 5-15 RA 315* PLUG			
MATERIAL SPEC					
SIZE	FSCM NO.	DWG NO.	DRAWN BY:	DATE	SHEET
A		KK19000-ORA-315	NICK	5/18/05	1 OF 1
SCALE	NONE				