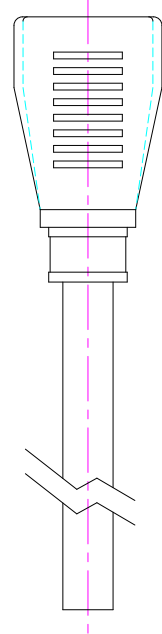
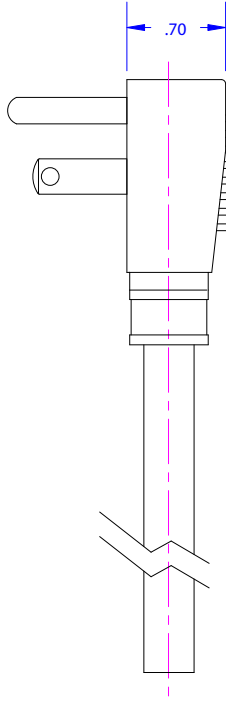
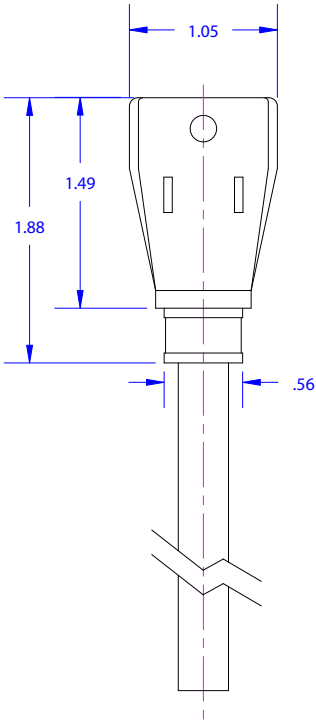


REVISIONS

REV	DESCRIPTION	DATE	APPROVED
XX	XXX	MO/DY/YR	XXX



PROPRIETARY INFORMATION
KORD KING, INC.
ALL RIGHTS RESERVED

THIS DOCUMENT CONTAINS CONFIDENTIAL AND PROPRIETARY INFORMATION OF KORD KING AND ITS RECEIPT OR POSSESSION DOES NOT CONVEY ANY RIGHTS TO REPRODUCE, DISCLOSE ITS CONTENTS, OR TO MANUFACTURE, USE OR SELL ANYTHING IT MAY DESCRIBE. REPRODUCTION, DISCLOSURE, OR USE WITHOUT SPECIFIC WRITTEN AUTHORIZATION OF KORD KING IS STRICTLY FORBIDDEN.

TOLERANCES FRACTIONAL $\pm 1/8$ 2 PLACE DEC. ± 0.060 3 PLACE DEC. ± 0.030		KORD KING, INC.		
MATERIAL SPEC MAT'L: PVC COMPOUND GRADE: THICK:		5-15P RA PLUG PIN AT TOP		
SIZE A	FSCM NO.	DWG NO. KK8000	REV XX	
SCALE NONE	DRAWN BY: NICK DATE DWR: 08/27/03		SHEET	1 OF 1